



# UNMATCHED PERFORMANCE

**1,360 KG (3,000 LB) CAPACITY**  
**HIGH-LEVEL ORDER PICKER**

# WORK LONGER WITH HIGH EFFICIENCY





## Advanced Technology For Non-Stop Performance

The Cat® NOR15 high-level order picker was built to deliver superior performance. Featuring advanced AC technology, this order picker provides strong acceleration and high lift/lower speeds along with low energy consumption and longer run times for increased productivity.

### KEY ADVANTAGES:

- Longer run times – up to 16 hours on one battery charge\*
- Low energy consumption due to advanced 3-phase AC technology
- Sealed components for maximum operation
- Maximum lifting performance – lifts up to 9 meters (30 ft) without risking stability
- Smart technology options for greater productivity

\* In most applications

### Extended Operating Time: Up To 16 Hours On One Charge

The NOR15 has the ability to run up to 16 hours on one battery charge in most applications, resulting in longer, more productive hours.

### Dynamic Speeds

Built for productive order picking, this truck achieves incredible travel, lift and lower speeds through advanced 3-phase AC technology:

#### Top Travel Speeds

- Up to 12 kilometers/hour in drive unit direction
- Up to 11 kilometers/hour in fork direction

#### Top Lift And Lower Speeds

- Lift speed up to 23 meters/minute
- Lower speed up to 28 meters/minute

### Sealed Components, Less Maintenance

The NOR15 features sealed components built to last in dusty or moist environments, ensuring minimum maintenance over time.

## SMART PERFORMANCE OPTIONS

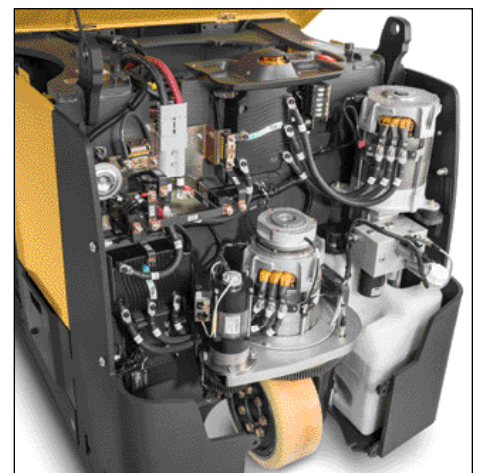
Raise your order picking performance and your return on your investment with these smart technology options:

### Advanced Platform Visibility

A monitor and attached camera allow your operator to see directly underneath the operator platform when the order picker is at height. This gives your operators visibility to make sure the path is clear when lowering.

### Warehouse Aisle Recognition

With RFID transponder technology, your NOR15 can be programmed for end-of-aisle slow/stop and travel speeds along with lift and lower cut-outs, customizing the order picker to your warehouse layout for more efficient order picking.



# GET THE JOB DONE WITH CONFIDENCE



## Designed For Your Operators

The NOR15 was built with your operators in mind. Through extensive analysis and feedback from operators in the field, we determined what order picker operators need most to ensure they get the job done.

### **ELEVATED PRODUCTIVITY**

With order picking heights up to 9 meters, the NOR15 is designed to help your operators maintain control and confidence at height, allowing for maximum picks shift after shift. With features delivering precise handling and secure stability, this order picker gives your operators absolute control.



## AWARENESS

- Key performance indicators are in full-color on the interactive display panel

## CONTROL

- Curve Control allows speeds to automatically reduce while turning corners and at height
- Electric steering requires less effort to drive the truck

## COMFORT

- The operator platform includes an ultra-comfort cushioned floor

## CONFIDENCE

- Automatic Pallet Grip stabilizes the pallet
- Control handle incorporates a sturdy base for a protected grip
- Side gates are stored out of the way when in the up position for effective access

## LITHIUM-ION AVAILABILITY:

- Greater power efficiency
- Run for 24 hours a day, 7 days a week with opportunity charging
- Zero battery maintenance
- No watering
- No more battery exchanges
- No gas emissions, odor or acidification
- No special charging areas or equipment needed
- Longer lasting life cycles (up to 3,000)
- 5-year warranty on batteries
- 2-year warranty on chargers

# OPTIONS FOR ENHANCED PERFORMANCE

## Customized For Your Warehouse

The NOR15 can be equipped with a wide range of features for your specific warehouse application:



### LED Lights

Offers enhanced visibility.

### Dual Fans

Provides maximum operator comfort throughout their shift.

### Aisle Guidance

Wire or rail guidance options are available with performance features programmed to control travel speed and lift height through the use of an RFID aisle transponder.

### Freezer Conditioning

Includes a wire mesh mast guard and display with integrated heater, built to withstand cold environments.

### USB Power Port

Single or dual, 5-volt / 2 amp port to power-up electronic devices.

### Furniture Picking

This package includes various fork length options and a tether pole to allow operators to move across the platform. Contact your local dealer for details on a customer furniture platform for your specific application.



## TAILORED FOR YOUR BUSINESS

Select from these available configurations to match the order picker to your business needs:

- 24- or 36-Volt power
- Four battery compartment options
- Five simplex and nine triplex mast options
- Seven base leg sizes from 1,066 – 1,574 mm (42 – 62 in) long
- Eleven fork lengths options, adjustable side-to-side
- Wide range of operator platform widths
- Three wire or rail guidance options, including Aisle Transponder Technology for customized aisle performance







Local service and support



Genuine OEM parts



Custom financing packages

# MORE CONFIDENCE







Factory warranty for added protection



## Local Support You Can Count On

A Cat lift truck purchase connects you to a variety of material handling solutions, including world-class service and support from your local, trusted dealer. With trained service technicians, a diverse parts inventory and a broad selection of service options, your local dealer can help you lower costs, enhance productivity and more efficiently manage your business.

### FINANCING MADE SIMPLE

Financing your next Cat lift truck is easy with our wide range of flexible leasing and purchasing options. Whether you want to finance or lease, your local Cat lift truck dealer can help customize a package for your business.

### WHEN EVERY PART COUNTS

When buying from your local Cat lift truck dealer, you can rest assured that your genuine OEM parts are manufactured to meet original equipment criteria. Additionally, all Cat lift trucks OEM parts come with a six-month, unlimited-hours warranty.

### STANDING BEHIND OUR PRODUCTS

We deliver peace of mind by helping your lift trucks stay on the job. Every new Cat lift truck is covered by a 1-year / 2,000-hours warranty that includes parts and labor, as well as components and systems. With our standard 2-year / 4,000-hours extended powertrain warranty, you'll have the confidence that only comes from owning a Cat lift truck.

## Specifications

Characteristics				NOR15 (short chassis)		NOR15 (long chassis)	
1	Type			High-level Order Picker		High-level Order Picker	
2	Power voltage			24 / 36		24 / 36	
3	Capacity at rated load center	lb	kg	3,000	1,360	3,000	1,360
4	Capacity load center – distance from fork face	in	mm	24	600	24	600
Dimensions				NOR15 (short chassis)		NOR15 (long chassis)	
5	Maximum fork height <sup>2)</sup>	in	mm	238	6,046	238	6,046
6	Fork dimensions – length x width x thickness	in	mm	42 x 4 x 2	1,280 x 100 x 50	42 x 4 x 2	1,280 x 100 x 50
7	Fork spacing – out-to-out minimum	in	mm	24 / 30	610 / 762	24 / 30	610 / 762
8	Fork carriage width <sup>1)</sup>	in	mm	30	762	30	762
9	Load distance (load axle to fork face)	in	mm	6.5	165	6.5	165
10	Wheelbase	in	mm	61.2	1,554	66.1	1,680
11	Extended mast height (including platform) <sup>2)</sup>	in	mm	327	8,310	327	8,310
12	Overhead guard height (top)	in	mm	92	2,337	92	2,337
13	Lowered mast height	in	mm	107	2,721	107	2,721
14	Lowered platform height	in	mm	10	245	10	245
15	Maximum platform height	in	mm	248	6,291	248	6,291
16	Overall length (with 42" L forks installed)	in	mm	120	3,040	125	3,166
17	Length to fork face (includes fork thickness)	in	mm	78.0	1,980	83	2,100
18	Overall width – chassis / wheel legs	in	mm	40 / 42	1,016 / 1,067	40 / 42	1,016 / 1,067
19	Ground clearance at lowest point	in	mm	0.45	12.0	0.45	12.0
20	Ground clearance at center of wheelbase	in	mm	1.9	47.2	1.9	47.2
21	Minimum outside turning radius	in	mm	71.2	1,808	76.2	1,935
23	Length to tip of wheel arms	in	mm	27.6	702	27.6	702
24	Inside operator compartment height	in	mm	81.1	2,060	81.1	2,060
25	Top of fork to top of overhead guard	in	mm	89.0	2,263	89.0	2,263
26	Top of fork to floor height	in	mm	6.5	166	6.5	166
27	Operator compartment floor to side gate arm	in	mm	38.3	972	38.3	972
28	Ground to top of fork when fully lowered	in	mm	3.0	75	3.0	75
29	Ground to top of battery rollers	in	mm	8.0	203	8.0	203
30	Pallet clamp opening width	in	mm	5.7	145	5.7	145
Performance				NOR15 (short chassis)		NOR15 (long chassis)	
31	Travel speed, loaded / no load	mph	km/h	75 / 75	12 / 12	75 / 75	12 / 12
32	Lift speed, loaded / no load	fpm	m/s	67 / 77	0.35 / 0.39	69 / 77	0.35 / 0.39
33	Lowering speed, loaded / no load	fpm	m/s	93 / 81	0.47 / 0.41	93 / 81	0.47 / 0.41
34	Brakes – service			regenerative		regenerative	
35	Brakes – parking			electric spring-loaded		electric spring-loaded	
Weight				NOR15 (short chassis)		NOR15 (long chassis)	
36	Service weight	lb	kg	5,730	2,600	6,395	2,900
37	Service weight with maximum weight battery, no load	lb	kg	8,030	3,642	9,295	4,215
38	Service weight with minimum weight battery, no load	lb	kg	7,680	3,484	8,993	4,079
39	Axle loading, no load, front / rear	lb	kg	4,467 / 3,563	2,026 / 1,616	5,092 / 4,123	2,310 / 1,870
40	Axle loading with rated load, front / rear	lb	kg	2,778 / 8,270	1,260 / 3,751	3,461 / 8,800	1,570 / 3,992
Chassis				NOR15 (short chassis)		NOR15 (long chassis)	
41	Tires			polyurethane		polyurethane	
42	Tire size back (load) – based on 42" or 44" W baseleg <sup>3)</sup>	in	mm	6 x 2.88	152 x 74	6 x 2.88	152 x 74
43	Tire size front (drive)	in	mm	13.5 x 5.5	343 x 140	13.5 x 5.5	343 x 140
44	Wheels, number, front / rear (x=drive wheels)			1x / 4		1x / 4	
45	Tread width (center of tires) <sup>1)</sup>	in	mm	37.8	960	37.8	960
Electrical				NOR15 (short chassis)		NOR15 (long chassis)	
46	Drive motor rating S <sub>2</sub> 60 min.	hp	kW	9.3	6.9	9.3	6.9
47	Lift motor rating at S <sub>3</sub> 15%	hp	kW	16	12	16	12
48	Battery compartment size (L x W x H)	in	mm	38.4 x 16.25 x 32.49	975 x 413 x 825	38.4 x 21.25 x 32.49	975 x 539 x 825
49	Battery weight, minimum / maximum	lb	kg	1,950 / 2,300	885 / 1,043	1,950 / 2,300	885 / 1,043
Other				NOR15 (short chassis)		NOR15 (long chassis)	
50	Controls – drive / hydraulic			AC		AC	

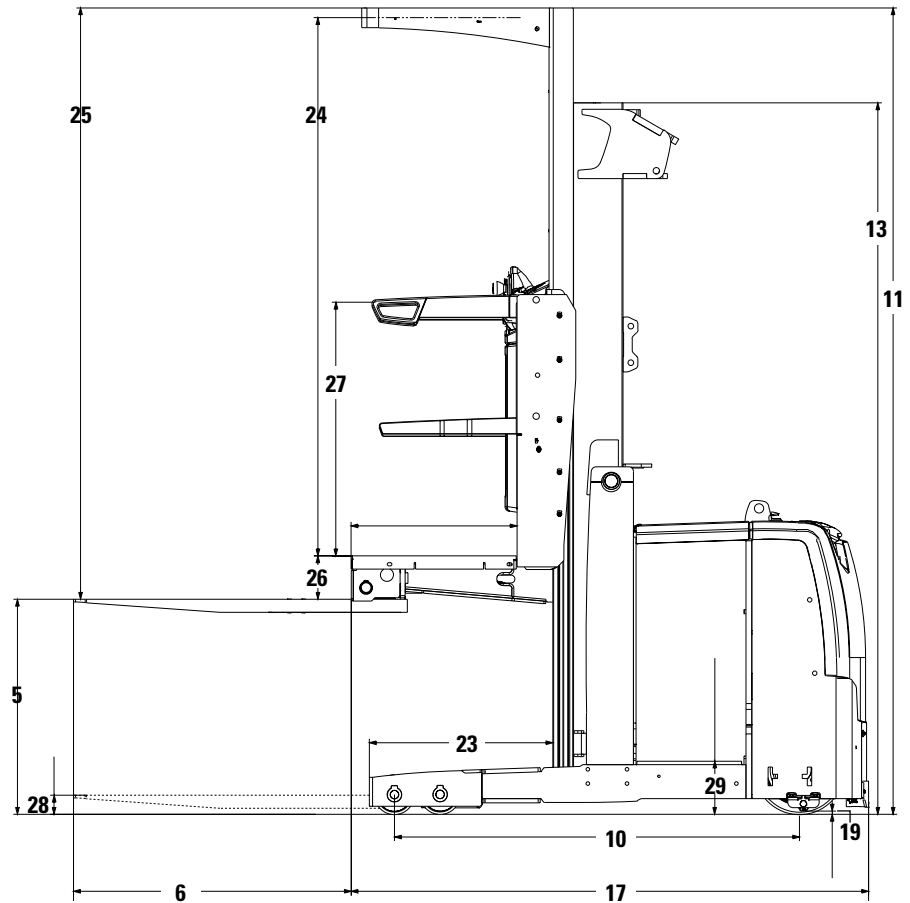
1) Based on standard (common) configuration of truck with 42" baselegs.

2) Based on common mast configuration of 238" MFH

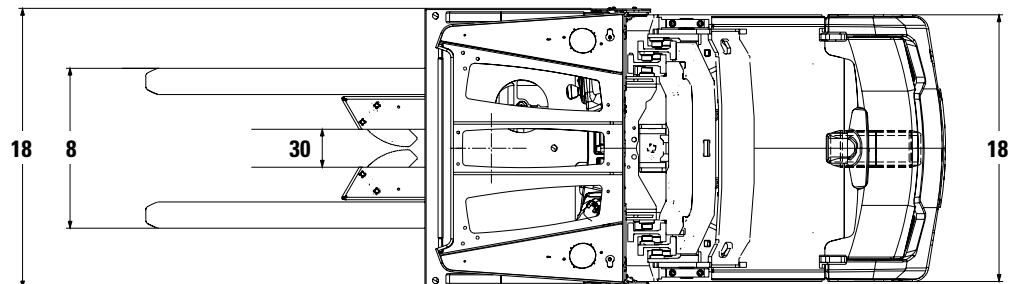
3) For baselegs wider than 44", wheel size is 6" x 4" (152 x 99 mm)

4) Based on common 16.25" battery compartment

**Call-out numbers shown in the diagram correspond to the first column of the specifications chart.**



Note: Equipping this model (these models) with a power source (e.g. Lithium-ion, Hydrogen Fuel cell, etc.) that has not been previously approved by the factory is considered a modification. Per OSHA 1910.178 and ANSI/ITSDF B56.1, please consult with your factory representative prior to installing any non-OEM power source that has not been previously approved.



## **Safety Standards**

These trucks meet American National Standards Institute/Industrial Truck Standards Development Foundation, ANSI/ITSDF B56.1. UL-Classified by Underwriters Laboratories, Inc., as to fire and electric shock hazard only. Availability: Type E, EE (optional). Users should be aware of, and adhere to, applicable codes and regulations regarding operator training, use, operation, and maintenance of powered industrial trucks, including:

- ANSI/ITSDF B56.1.
- NFPA 505, fire safety standard for powered industrial trucks — type designations, areas of use, maintenance and operation.
- Occupational Safety and Health Administration (OSHA) regulations that may apply.

Contact your Cat lift truck dealer for further information, including operator training programs and auxiliary visual and audible warning systems, fire extinguishers, etc., as available for specific user applications and requirements. Specifications, equipment, technical data, photos and illustrations based on information at time of printing and subject to change without notice. Some products may be shown with optional equipment.



**Your Cat lift truck dealer** can provide additional options and features to specialize your lift truck for your unique application. Operator training and custom financing programs are also available to help find the right fit for your business.

Helping move businesses forward – that's how we're built.

**1-800-CAT-LIFT | [www.logisnextamericas.com/cat](http://www.logisnextamericas.com/cat)**

© 2022 Mitsubishi Logisnext Americas Inc. All Rights Reserved. CAT, CATERPILLAR, BUILT FOR IT, their respective logos, "CaterpillarYellow," the "Power Edge" trade dress as well as corporate and product identity used herein, are trademarks of Caterpillar and may not be used without permission. All registered trademarks are the property of their respective owners. Some products may be shown with optional equipment.

CECN0301-01

06/22

**CAT**® Lift  
Trucks